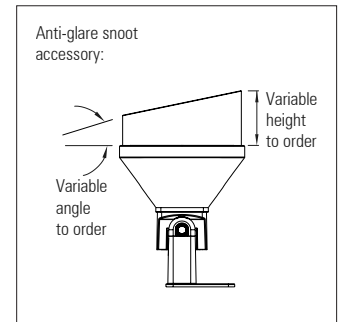
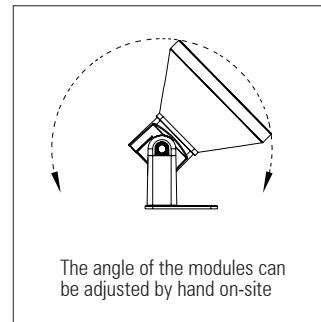
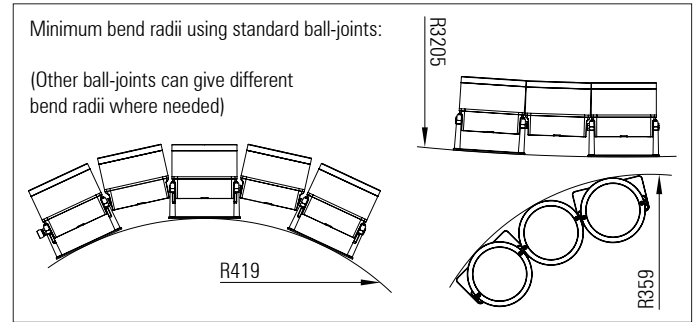
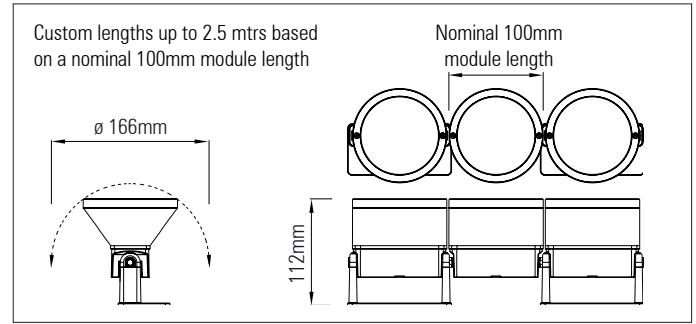


3D LED Flex 40 WE System IP20

Interior, modular, 3D flexible, DMX controlled, dynamic LED effect lighting system



3D LED Flex 40 WE System IP20

Interior, modular, 3D flexible, DMX controlled, dynamic LED effect lighting System

Product description:

Decorative, dynamic lit-effects for interior indirect cove lighting applications where the building surfaces are non linear with curved profiles

Flexible in 3 dimensions - Articulated ball-joint system between modules

Each module - 8x Luxeon Z or CZ LED light engine, one or two LV multi-channel DMX drivers and a textured glass panel optic. These can all be customised to create decorative, dynamic lit-effects tailored to suit project requirements

Adjustable-angle brackets allow for the lit effect to be aimed once installed

The system does not rely on any moving parts and the LEDs are not run at full power for most of the dimming sequence, giving a long working life of up to 100,000 hours.

Up to 4.5 Watts per 100mm module. 24-48 Volt DC supply depending on application

Custom lengths based on a 100 mm module up to 2.5 mtrs

Both integral DMX LV driver and remote AC to DC DMX driver versions are available

Various LED colours, colour temperatures and CRI options available. Different colour LEDs or white LEDs of different colour temperatures can be specified for each of the 8 LEDs within the light engine

Satin black, satin white or any RAL paint colour finish

Custom anti-glare accessories can be specified - ensuring excellent visual comfort

Up to 4,000 Lumens per mtr with all 4 LEDs on full power

Product Code	No. of LEDs per mtr.	IP	Length (mm)	LED Type	Optics	LED Colour or white LED Colour Temp.(K)	CRI	Bracket Type	Feed	Finish	
RAD 3D LED FLEX 40 WE IP20 INTEGRAL DRIVER	80 LEDs per Mtr	20	100mm -increments of 100mm up to- 2,500mm	LUMILEDS: 8x LUXEON Z or CZ LEDs - custom combinations or white or colour LEDs can be specified	Textured glass: Rippled Stippled	Specify colour / colour temp. for each of the 8 LEDs in the light-engine:		70 80 90	Adjustable Fixed Custom	End Back Side	Black White Any RAL-colour
RAD 3D LED FLEX 40 WE IP20 REMOTE DRIVER						Far Red, Deep Red, Red, Red-Orange, Amber, PC Amber, Mint, Lime, Green, Cyan, Blue, Royal Blue, Violet	22=2,200k 27=2,700k 30=3,000k 35=3,500k 40=4,000k 50=5,000k 57=5,700k 65=6,500k				